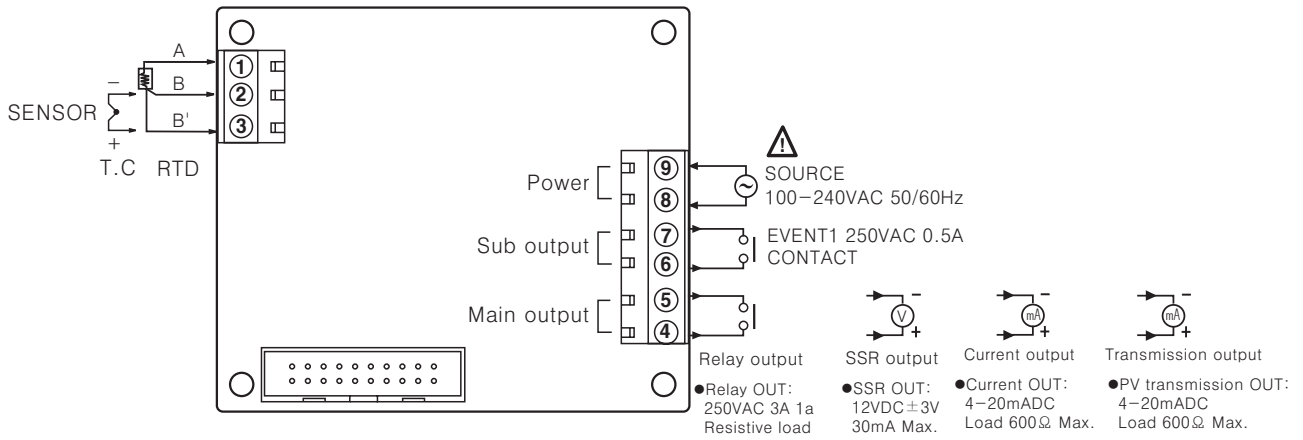


TB42

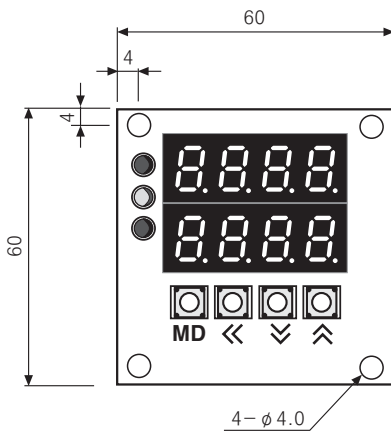
Connections

※RTD(Resistance Temperature Detector) : DIN Pt 100Ω , JIS Pt 100Ω(3-wire type) ※Thermocouple : K, J

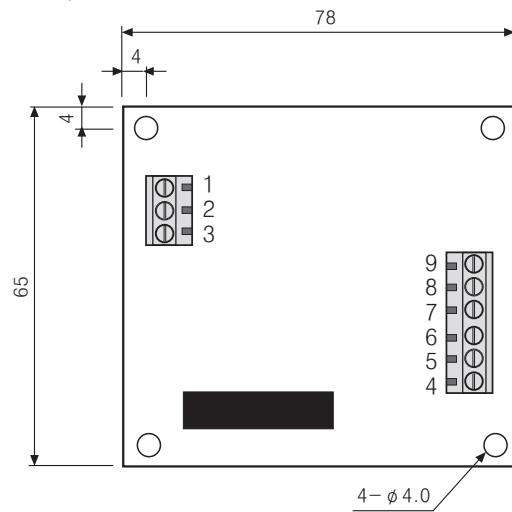


Dimensions

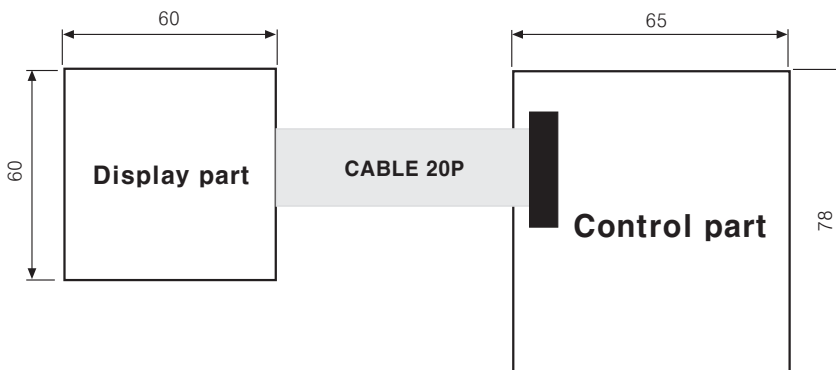
●Display part



●Control part



●Layout



※Cable length is 300mm.

※The size of board is based on user's application. (Optional)

Unit : mm